



STL PANEL

*Radio STL
Broadband Directional Antenna
870 - 960 MHz*



- Low wind load construction
- Up to 100 Watts input power
- 12.5 dB Gain (dBd)
- N female input connector
- Galvanized Steel mounting bracket included
- Frequency Range: 870 - 960 MHz
- Compact and lightweight for shipping and ease of field assembly

Impedance: 50 Ohm

Pattern: Directional

VSWR: < 1.5: 1

Input connector: "N" Type female

Power rating: 100 W

Gain: 12.5 dBd, 14.6 dBi

Power gain: (for one antenna) 17.8

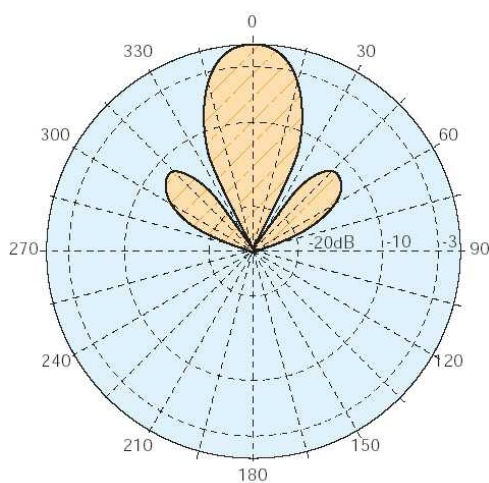
Construction: Anodized Aluminum, Brass, Galvanized Steel, High Impact PVC

Bracket: Can clamp on supports 1" to 4 3/16" (250 mm to 110mm) diameter

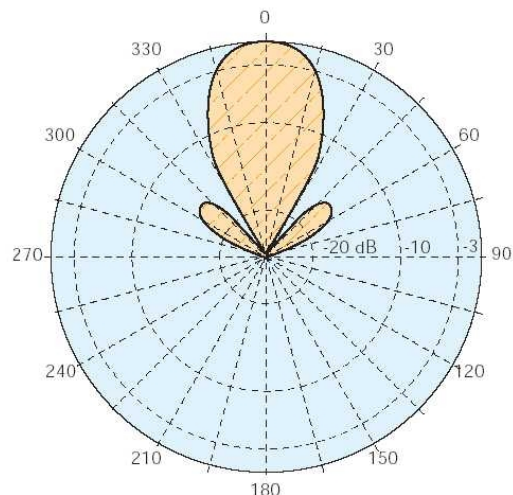
Approximate dimensions: 23 3/4" x 23 3/4" x 5 1/4" (600mm x 600mm x 130mm)

Typical shipping size: 35" x 35" x 15" (890mm x 890mm x 381mm)

Typical weight: 11 Lbs / 5 Kg (boxed)



Typical
Horizontal
Pattern



Typical
Vertical
Pattern