

Model FTDPTC05

- 3 Channel Combiner
- Constant Impedance Type
- FM Band 87.5-108 Mhz

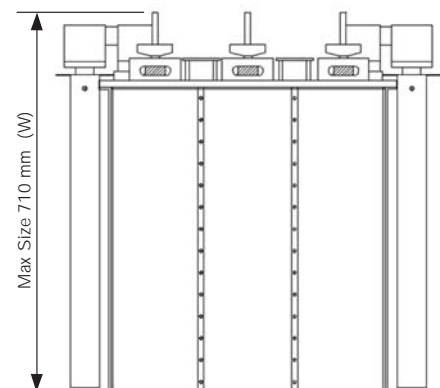
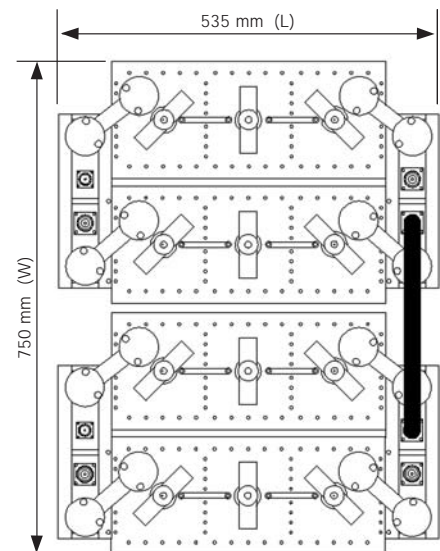
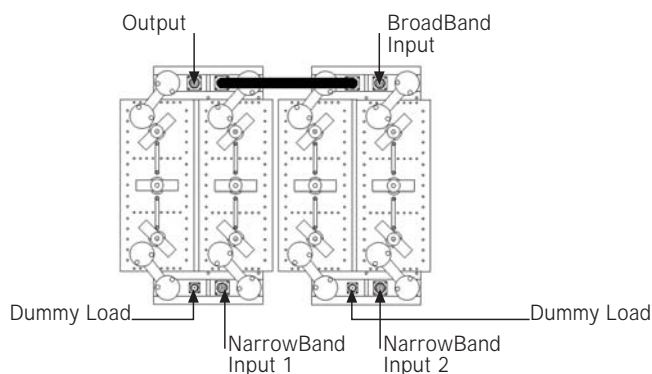
A constant impedance combiner consists of two or more band pass filters, two 3dB couplers and a dummy load. One or both inputs is/are narrow band, while the remaining input(s) can be broadband. Input impedance is not frequency dependent.

TYPICAL SPECIFICATIONS

Model	FTDPTC05 – Type CONSTANT IMPEDANCE
Impedance	50 Ohm
Frequency Range	87.5+108 MHz
VSWR ±150 KHz	1.1:1 Max
Insertion Loss	at f_0 0.65 dB Max (Narrow Band Input 1) at f_0 0.75 dB Max (Narrow Band Input 2) 0.1 dB Max (Broad Band Input)
Return Loss ±150 KHz	≤ -26 dB
Isolation ±1.2 MHz	NB to BB ≥ 30dB, BB to NB ≥ 40dB, NB to NB ≥ 40dB
No. of input	3 (2 NarrowBand+1 BroadBand)
No. of output	1
Connectors	N Input (Opt. 7/16") 7/16" Output (Opt. 7/8")
Max Power	600 W x 3 Channels
Temperature Range	-20°C + +50°C
Color	Enamel gray ral 7001
Materials	Aluminium, silver brass, copper, PTFE, stainless steel, silver plated (min 12μ thickness)

- Distortion - Free
 - Custom configuration available
 - Low loss, high isolation
 - Natural convection
 - Optional group delay equalizer
 - Input impedance not frequency dependent
- ▶ The frequency at the broadband input can be changed without returning
i the bandpass cavity filters.

Dimensions	710(Max size) x 750 x 535 mm (28(Max size) x 29,5 x 21 inch) (H x L x W)
Net Weight	≈ 120 Kg



"These specifications are subject to change without notice"